


THIS COPY IS PROVIDED ON A RESTRICTED BASIS AND IS NOT TO BE USED IN ANY WAY DETRIMENTAL TO THE INTERESTS OF PANDUIT CORP.

PART NUMBER	LENGTH (MINIMUM)	PACKAGE TYPE	 WEIGHT
FG5**5.0-A	5 FEET	LENGTH	.456 lb/ft [.69 g/mm]
FG5**25.0-A	25 FEET	COIL	.456 lb/ft [.69 g/mm]





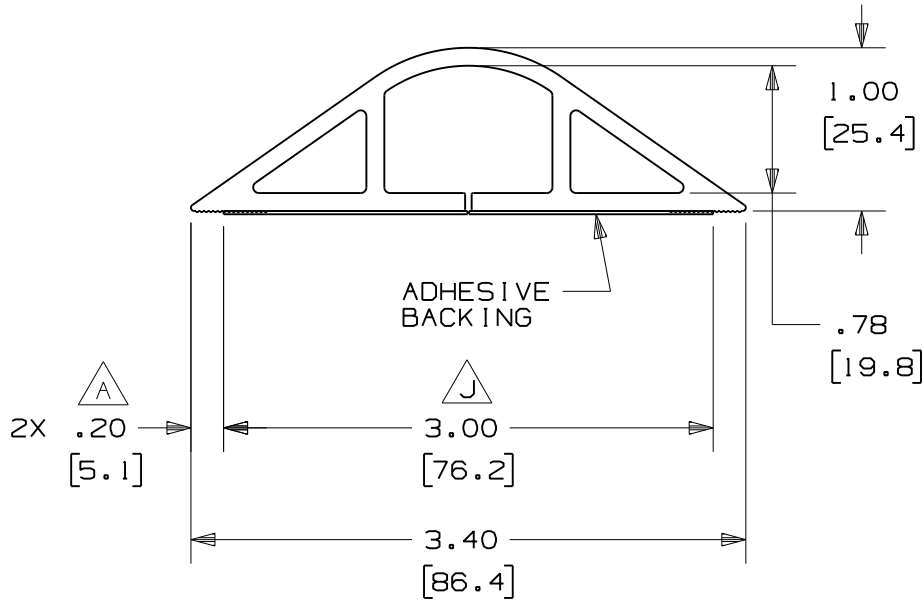










NOTES:

1. SEE CURRENT CATALOG FOR ADDITIONAL PART NUMBER SUFFIXES TO INDICATE COLOR AND/OR PACKAGE QUANTITY.
2. DIMENSIONS IN PARENTHESIS ARE IN METRIC.
3. NOMINAL WALL THICKNESS IS .12 [3.0]
4. TO APPLY PART:
 - a. CUT FLOORGUARD TO DESIRED LENGTH.
 - b. INSERT WIRES INTO FLOORGUARD.
 - c. APPLY TAPE TO FLOORGUARD. (TAPE IS TO BE CENTRALLY LOCATED ON THE FLOORGUARD AS SHOWN ON THE DRAWING)
 - d. REMOVE RELEASE LINER FROM TAPE AND PLACE FLOORGUARD ON A CLEAN, DRY SURFACE.
 - e. APPLY PRESSURE TO ENTIRE LENGTH OF FLOORGUARD TO OBTAIN MAXIMUM ADHESION.
5. NO WARRANTY, EXPRESSED OR IMPLIED, IS MADE BY PANDUIT WITH RESPECT TO ADHESIVE BOND PERFORMANCE. AMONG OTHER THINGS, THE CONDITIONS UNDER WHICH THESE PRODUCTS MAY BE APPLIED AND/OR THE SURFACE TO WHICH THEY MAY BE APPLIED ARE BEYOND PANDUIT'S CONTROL.



CAD FILENAME/LAYERS D39735BA_DC_FG5/07B

K. [.XX] TOLERANCE WAS .05 [1.3]										
J. ADDED TAPE WIDTH DIMENSION I. SCALE WAS FULL										
3	12.30.10	BDK	JBN	H. COMBINED AND MODIFIED NOTES G. REVISED PART NUMBERS AND LENGTH	39735-02	PATR	RTF I	FLOORGUARD (FG5) CUSTOMER DRAWING		
RELEASED TO PRODUCTION										
F. REVISED PART GEOMETRY E. REVISED PART WEIGHT								UNLESS OTHERWISE SPECIFIED, DIMENSIONAL TOLERANCES ARE:		
2	04-28-09	BDK	JBN	D. REVISED LENGTH: 25 FOOT WAS 50 FOOT C. REVISED PART NUMBER (DROP "S")	39735-02	JBN	RTF I	[.X] ± (.XXX) ± [.XX] ± .03 [.8] ANGLES ± 1°	 UNLESS OTHERWISE SPECIFIED, ALL DIMENSIONS ARE GIVEN IN INCHES, THIRD ANGLE PROJECTION.	
1	06-25-08	BDK	PM	B. REVISED UNIT NOTATION AND NOTE 2 A. REVISED TAPE WIDTH				DRAWN BY BDK	MAT'L: FLEXIBLE VINYL	
R	3-17-08	BDK	PM	DRAWING RELEASED				DATE 3-17-08	SCALE NONE	
REV	DATE	BY	CHK	DESCRIPTION	ECN	CHK	CUST	SUP	DRAWING NO. 39735-02	 DWG A SIZE